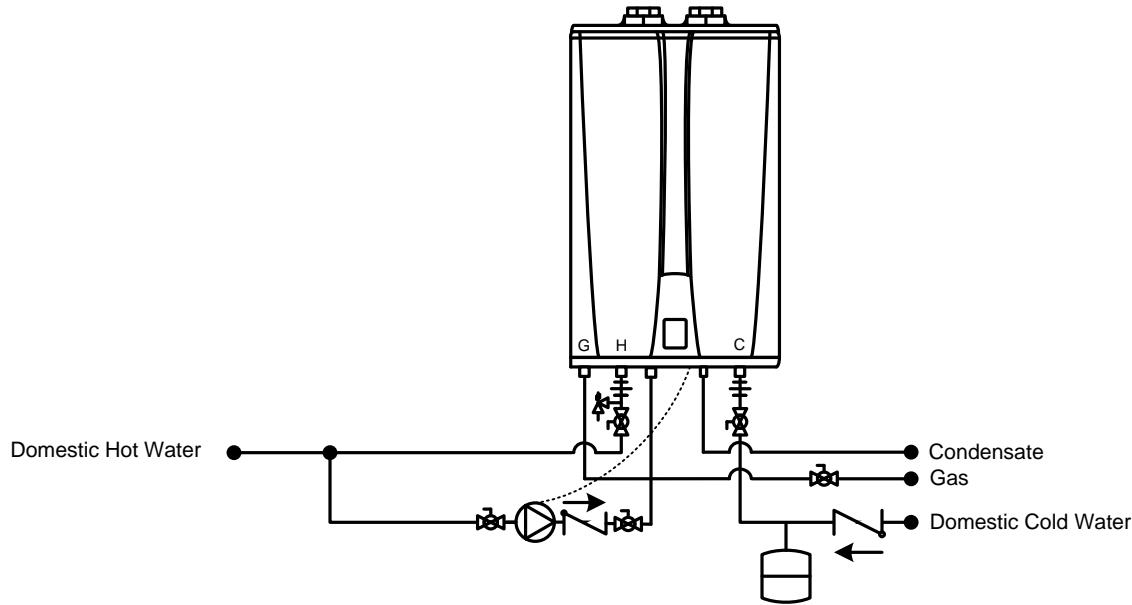


This drawing is intended only as a guide and not as a replacement for professionally engineered project drawings. This concept system drawing does not imply compliance with local building codes. Actual installation may vary depending on installation location & parameters and it must be done in accordance to all local building codes. Verify with local building officials before commencement of system installation.

Notes:

1. Use Navien Cord P #30011612A
 2. Set DIP Switches on Integrated Controller
#1 – OFF, #2 – ON, #3 – ON
 3. Select External Circulator Performance
to be 2 GPM Minimum, 4 GPM Maximum based
on 5 Psi drop @ 4 GPM at tankless
- * Refer to NPE Installation Manual for further details



20 Goodyear
Irvine, CA 92618
800-519-8794

www.navienamerica.com

NPE-A Series Tankless Water Heater

One NPE-A Tankless
Using External Pump for Booster Recirculation
with Part #30011612A External Pump Wire

Drawn By: B. Fenske

NPE-A-1-PW-EC-BF02

August 1, 2013

